

ADSL/VDSL

4 Ethernet Ports | VoIP | 2.4G/5G Concurrent | AC1200 | USB Host

VI-3254u Wireless DSL IAD



VI-3254u AC1200 is a high-speed ADSL/VDSL IAD. It provides sufficient bandwidth for high performance connection to the Internet. It has a Web-based graphic user interface (GUI), in which you can easily modify the settings and connect to your ISP. It also provides flow statistics, connection status, and other detailed information. The VI-3254u AC1200 is easily upgraded and provides terminal users and ISP with the guarantee of future. The VI-3254u AC1200 provides one XDSL interface, three Ethernet interfaces, one WAN interface, one USB host 2.0 interface, 2.4GHz for 2T2R and 11ac for 2T2R with internal antennas. The telephone interface is used for connecting to the Internet provided by the telecom carrier. The Ethernet and WiFi are used for connecting to computers, through which you can access the Internet. The WiFi interface supports 802.11n 2.4GHz/5GHz dual-band. It is an ideal broadband CPE solution for both home users who wish to share high-speed Internet access and small offices that wish to do business on the Internet.

FEATURES

- **ADSL Features :**
 - T1.413i2, G.992.1
 - G.dmt, G.992.2, G.lite
 - G.992.3 (G.bis/ADSL2)
 - G.992.5 (ADSL2+)
 - Annex A,B,I,J,M&L
 - ITU G.994.1 (G.hs)
 - Supports ATM forum UNI 3.0, 3.1 and 4.0 permanent virtual circuits (PVCs)
 - Supports CBR, UBR, VBR-rt, VBR-nrt
 - Supports multiple PVCs
 - Supports ITU-T i.610F4/F5 OAM
- **VDSL Features :**
 - ITU-T G.993.2 VDSL2
 - Supports 8a, 8b, 8c, 8d, 12a, 12b, 17a, 30a profiles
 - Supports G.vector
 - Supports PTM
 - Supports G.INP
- **Bridging Features :**
 - Self-learning bridge (IEEE 802.1D Transparent Bridging)
 - At least 64 learning MAC addresses
 - Supports IGMP snooping
- **Routing Features :**
 - RFC768 User Datagram Protocol (UDP)
 - RFC791 Internet Protocol (IP)
 - RFC792 Internet Control Message Protocol (ICMP)
 - RFC793 Transmission Control Protocol (TCP)
 - RFC826 An Ethernet Address Resolution Protocol (ARP)
 - RFC862 Echo Protocol
- Supports IP routing
- Supports transparent bridging
- Supports source and destination routing
- Supports DHCP server/client
- Supports UPnP
- Supports NAT, NAPT
- Supports DMZ
- Supports IP QoS
- Supports IGMP proxy
- Supports IPv6
- **Protocol Features :**
 - RFC2684 multiprotocol encapsulation over ATM adaptation Layer 5
 - RFC1483 multiprotocol encapsulation over ATM adaptation Layer 5
 - RFC 2516 PPP over Ethernet (PPPoE)
 - RFC 1662 PPP in HDLC-like framing
 - RFC 1332 PPP Internet Protocol Control Protocol
 - RFC 894 A Standard for the transmission of IP datagrams over Ethernet networks
 - RFC1042 A standard for the transmission of IP datagrams over IEEE 802 networks
 - MER (a.k.a IP over Ethernet over AAL5)
 - Supports ALG (Application Level Gateways)
 - IEEE 802.3
 - IEEE 802.3u
 - IEEE 802.11b
 - IEEE 802.11g
 - IEEE 802.11n
 - IEEE 802.11ac

VI-3254u

4 Ethernet Ports | VoIP | 2.4G/5G Concurrent | AC1200 | USB Host

SPECIFICATIONS

System Specifications

- Chipset : EN7513G+ MT7612E + MT7592+ EN7556
- DRAM : 128MB
- Flash : 128MB
- Wi-Fi : 2.4GHz 11b/g/n, 2T2R 300Mbps; 11AC a/n/ac, 2T2R 866Mbps

Management

- Device Configuration, Management and Update
- Web based GUI
- Localization support
- Embedded web server
- Command Line Interface via serial port, telnet
- Universal Plug and Play (UPnP) Internet Gateway Device (IGDv1.0)
- WAN Management Protocol (TR-069)
- Date/time update from SNTP Internet Time Server

Wireless Features

- Standard : IEEE802.11b/g/n,802.11a/n/ac
- Modulation schemes :
 - 802.11b: CCK, DQPSK, DBPSK
 - 802.11g: 16QAM, 64QAM, QPSK, BPSK, DSSS
 - HT20 and HT40: 16QAM, 64QAM, QPSK, BPSK
 - VTH20, VTH40 and VTH80: 16QAM, 64QAM, 256QAM
- Wireless data rate :
 - 802.11b: 11, 5.5, 2, 1 Mbps per channel, auto fallback for extended range
 - 802.11g: 54, 48, 36, 24, 18, 12, 9, 6 Mbps per channel, auto fallback for extended range
 - HT20: up to 144 Mbps
 - HT40: up to 300 Mbps
 - VTH80: up to 866 Mbps
- Security : 64-bit, 128-bit WEP, AES, TKIP, WPA, WPA2, 802.1x

Voice Features

- SIP(RFC3261)
- RTP
- Codec : G.711A/u Law, G.729(option), G.722(option)

Security

- Service access control based on incoming interface: WAN or LAN
- Service access control based on source IP addresses
- Protect DOS attacks from WAN: SYN flooding, IP surfing, ping of death, fragile, UDP ECHO (port 7), teardrop, land
- PAP (RFC1334), CHAP (RFC1994), MSCHAP for PPP session
- IP filter, parental control

External Connectors

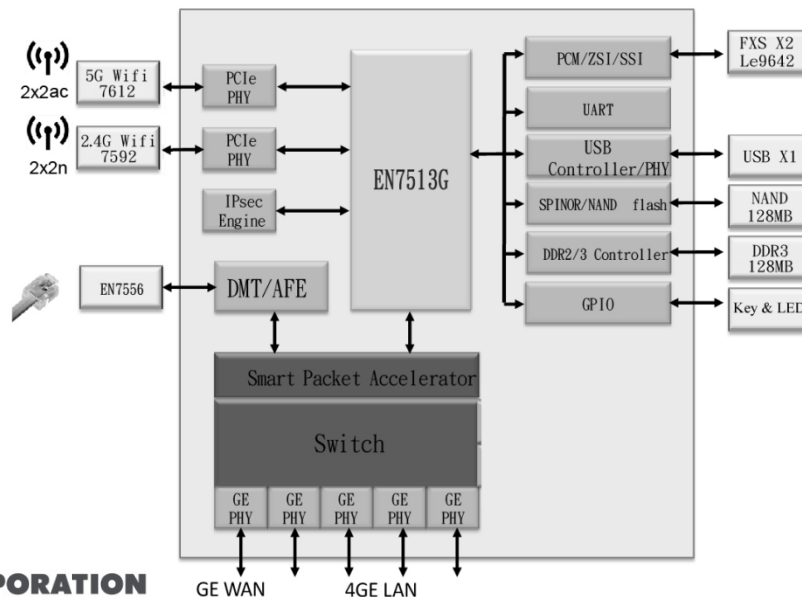
- 1 x RJ11 xDSL interface
- 3 x RJ45 LAN Ethernet interfaces 10M/100M
- 1 x WAN 10M/100M Ethernet interfaces
- 2 x FXS interfaces
- 1 x USB host 2.0 interface
- 1 x Reset button
- 1 x 2.4G WPS/WLAN button
- 1 x 11AC WPS/WLAN button
- 1 x power interface
- 1 x power switch

Ethernet Interface Features

- Fully compliant with IEEE802.3/802.3u /802.3ab standards
- 10Base-T, 100Base-TX, 1000Base-T
- Half duplex and full duplex
- Auto MDI/MDIX
- Flow control

Environment Requirement

- Operating temperature : 0°C—40°C
- Storage temperature : -20°C—70°C
- Operating humidity : 10%—95%, non-condensing
- Storage humidity : 5%—95%, non-condensing



COMTREND CORPORATION

Taiwan:
3F-1, No.10, Lane 609, Chongxin Road, Section 5,
Sanzhong Dist, New Taipei City 24159, Taiwan
Tel: 886-2-2999-8261
Fax: 886-2-2999-8497

USA & Canada:
14 Chrysler, Irvine CA 92618, USA
Tel: 1-949-7539640
Fax: 1-949-7539020

Spain:
Edif. América II C/Prócion,7 portal 3 bajo H 28023
Madrid, Spain
Tel: 34-917990403
Fax: 34-913510999

Czech Republic:
TOKOVO.Jankovcova 1518/2, 170 00, Prague 7,
Czech Republic
Tel: 420-266-782040
Fax: 420-266-782990